

Fuel Tanker Truck

User's Manual



Preface

Thank you for purchasing POWERSTAR products. For better using your ISUZU fuel tanker truck, get the best operating performance, we strongly suggest that before the operation process you could read this manual instructions carefully, and to manipulate the program handily.

The manual detailed describes the performance of fuel tanker truck, structure, usage, precautions and maintenance of such knowledge. While showing details of the truck, both pictures and description will together help you get better understanding of how to use truck. Before the operation, the skilled operator should carefully read the contents of the manual.

After master the truck performance characteristics, methods of operation and precautions, then could start to operate this fuel truck. In order to ensure the staff turnover after the operation, and properly use of the truck. This manual book must be properly kept, shall not be lost and damage.

CEEC TRUCKS

----POWERSTAR TRUCKS

Whatsapp: +86 136 4729 9000
+86 159 7192 0800

Contents

Chapter 1. General Description.....	4
Chapter 2, Main Technical Data.....	5
Chapter 3, Fuel Pump & Fuel Dispenser.....	6
Chapter 4, CENSTAR Fuel Dispenser.....	8
Chapter 5, Fuel Tanker Truck Structure Components.....	10
i ,Fuel Tanker Structure Components.....	10
ii ,Fuel Pipeline Structure Components.....	13
Chapter 6, Fuel Tanker Truck Working Principles.....	14
i ,How are the fuel trucks working?	14
ii ,What is the main component for truck?	14
iii, How to operate fuel tanker trucks?. (Very Important)	15
IV, How to operate CENSTAR Fuel Dispenser?	22
Chapter 7, Others for Attention.....	24
i ,Precautions for Use.....	24
ii ,Maintenance.....	25
iii, Spare Parts List.....	25

Chapter 1. General Description

*POWERSTAR TRUCKS Fuel Tanker Truck based on type II ISUZU 4*2 Left Hand Drive chassis, Fuel tanker capacity could up to 3,000liters, which also installed with famous Chinese brand SANKI Fuel Dispenser, mainly used for Fuel storage, transportation and refueling, and the working aerial can be city street, factory, desert areas and other areas of need.*

The vehicle designed to fully rely on the advantages of the original of ISUZU brand chassis, fully consider the product's convenience and reliability, also the chassis ISUZU technology features. The fuel tanker material is international standard carbon steel, both internal and external with anti-rust painting, which can effective to avoid rusting. As for tank capacity, this is strictly 3CBM and safety enough to transport & refueling oil based on customer requirement.

The ISUZU 4x2 Fuel Tanker Truck equipped with SANKI refueling machine, front climbing ladder, Euro standard Manhole, top & side & rear guard plate and safety fuel inlet & outlet valves to help better use of the trucks. Cab for the single-row Comfortable seat, nice driving feeling. Therefore, the vehicle is an ideal Fuel Tanker Truck mainly for oil transportation & refueling function.



(Preview for your ISUZU 3CBM Fuel Tanker Truck)

Chapter 2, Main Technical Data

Basic parameter:

Items		3CBM ISUZU Fuel Tanker Truck
S I Z E	Outer Dimension (L×W×H) (mm)	5900*1900*2100
	Wheelbase (mm)	3360
Kerb Weight (kg)		2600
G E A R	Gearbox brand	ISUZU MSB
	Model	5-shift gearbox
	Type	Manual
Cab capacity (includes driver)		2
E N G I N	Brand	ISUZU
	Model	4JB1CN
	Type	Four cylinder inline, four stroke, water-cool, turbocharged Inter-cooling, diesel
	Rating Power (kW/HP)	72 / 98

Note: 1. We keep the right to revise the parameters on the list above.

Water Tanker basic parameter list

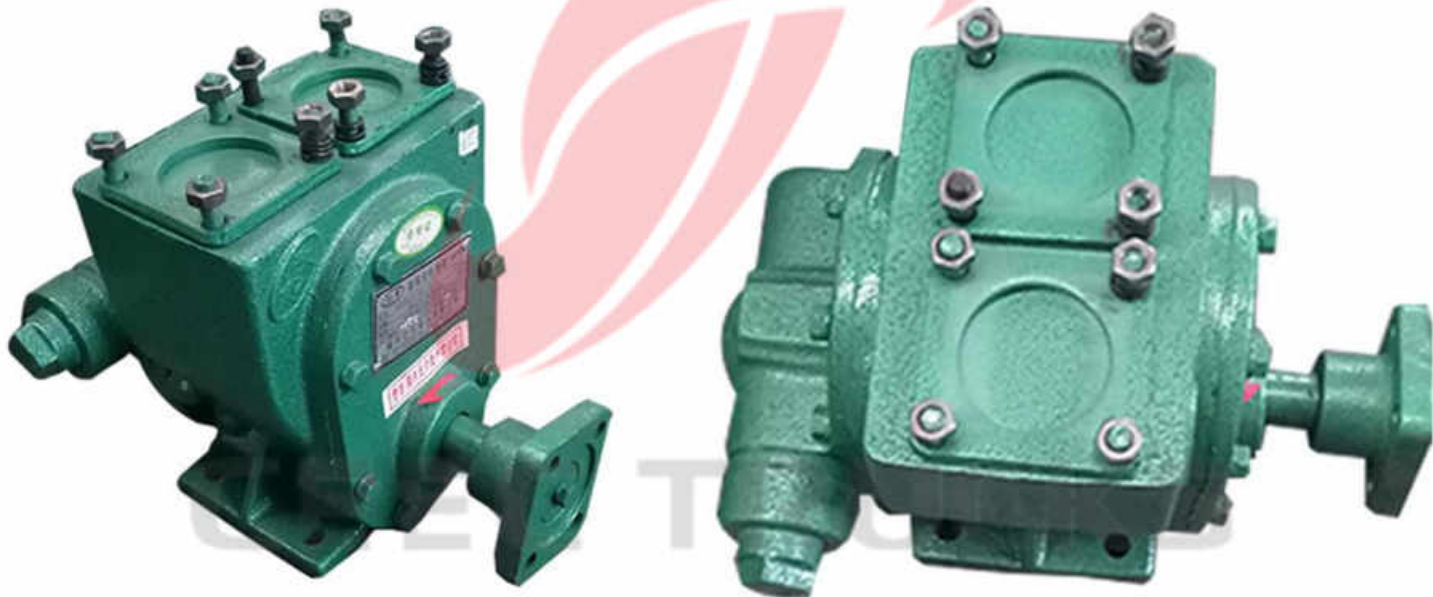
Items		Parameter	
Water tanker	Capacity (Liters)	3000	
	Material	Standard Carbon Steel	
	Painting	Internal	With anti-rust painting
		External	White painting
	Special Equipme nt	Refueling Machine	SANKI Brand, Equipped at rear of tank
		Valves	Equipped on side of tank
		Climbing Ladder	Equipped in front of tank
Safety Guard		Equipped on top of tank	
Fuel Pump	Model	60YHCB-30	
	Fuel Flow Rate (m ³ /h)	30	
	Working Pressure (MPa)	0.4	
	Revolving Speed (r/min)	970	
	Self-Suction Height (m)	7	
	Rated Power (kw)	6	

Chapter 3, YIFENG Fuel Pump

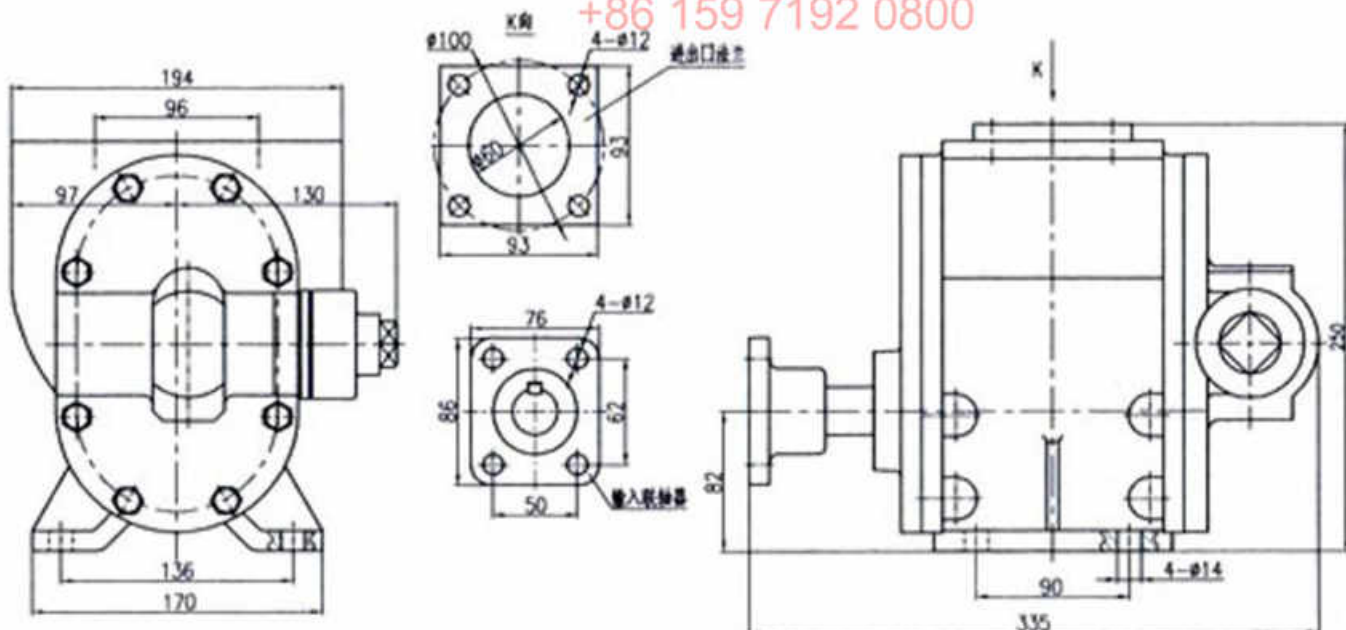
Brief introduction of 60YHCB-30 fuel pump:

ISUZU fuel tanker truck use TOP Chinese brand Fuel Pump and pump model is 60YHCB-30. The pump is newly produced National Patent Products which based on many years' independent developing & production of arc gear pump. Also the pumps comply with national standards JB/T6434-92. Advanced features for the pump showing as below: Simple Structure, Smooth Operation, High Efficiency and Reliable Operation.

Below is overview for 60YHCB-30 model fuel pump:



Whatsapp: +86 136 4729 9000
+86 159 7192 0800



How to Installation & Maintenance 60YHCB-30 fuel pump:

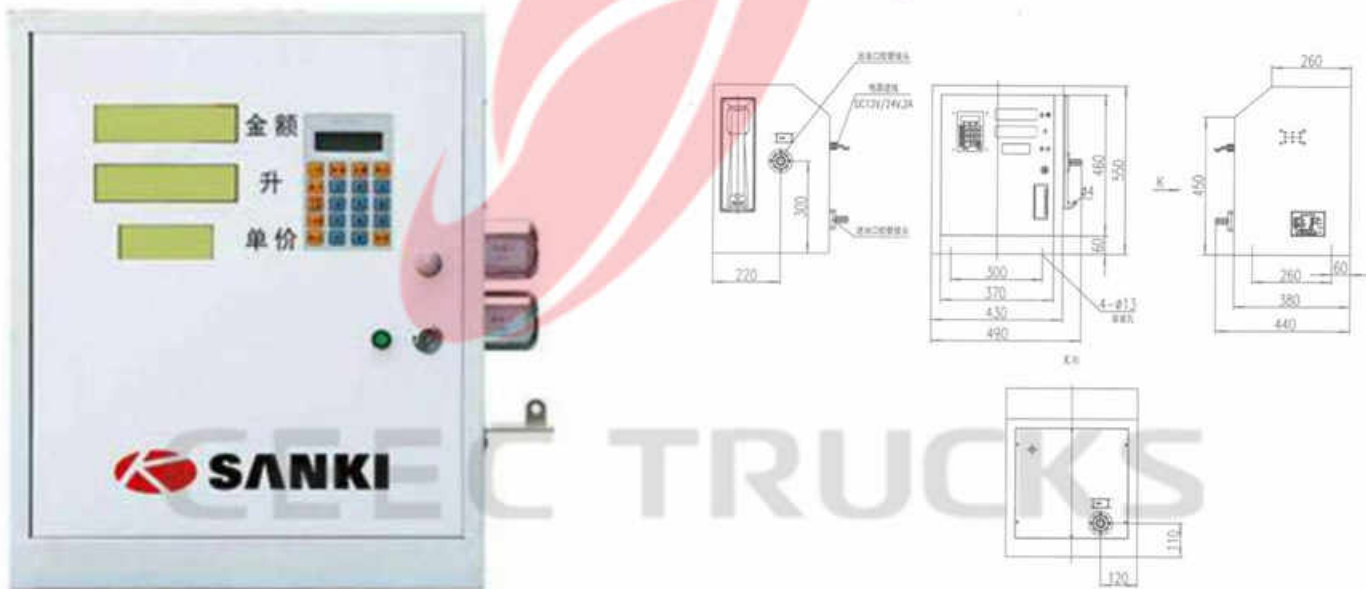
Items	Notification	
1	Usage	<ol style="list-style-type: none"> 1. Installed on Fuel Tanker Truck 2. Installed on Fuel Storage House
2	What need to pay attention while installed on fuel tanker truck	<ol style="list-style-type: none"> 1. The pump get power from PTO 2. The pump is installed in hanging bracket under chassis frame 3. Pumping-In pipeline should match with pump hole, and max. suction height less than 7m 4. On working condition, the pressure gauge less than 0.5MPa, and vacuum gauge less than -0.08MPa
3	Before start working	<ol style="list-style-type: none"> 1. Test the shaft valve direction of rotation 2. Test the Fittings and Flange sealing 3. Test all valves
4	Cleaning suggestion	<ol style="list-style-type: none"> 1. Washing the filter have a month, so to avoid any block 2. Adjust the discharging pressure of safety valve
5	Pump revolution speed suggestion	The pump revolution speed should be from LOW to HIGH, and speed up slowly. Not allowed any over revolution speed or any instability speed
6	Watching pressure gauge & vacuum gauge while pump working	<ol style="list-style-type: none"> 1. When pressure gauge higher, means the lifting is over height or the pumping-out pipeline is blocked 2. When vacuum gauge high, means the suction is over distance or the pumping-in pipeline is blocked
7	Maintenance for cold weather and not working	Discharging all storage inside pump, which can avoid frost crack
8	Maintenance for long-term use	Treated with anti-rust processing and keeping properly
9	Maintenance for bearings	Filling calcium grease every half year
10	Pipeline installation suggestion	The pipeline should be installed at proper height and position
11	Stop working suggestion	When stop the truck, firstly disconnect the PTO handle, secondly close the inlet & outlet valve of the fuel pump
12	Start working suggestion	When no medium inside the fuel pump, strictly forbidden starting

Chapter 4, SANKI Fuel Dispenser

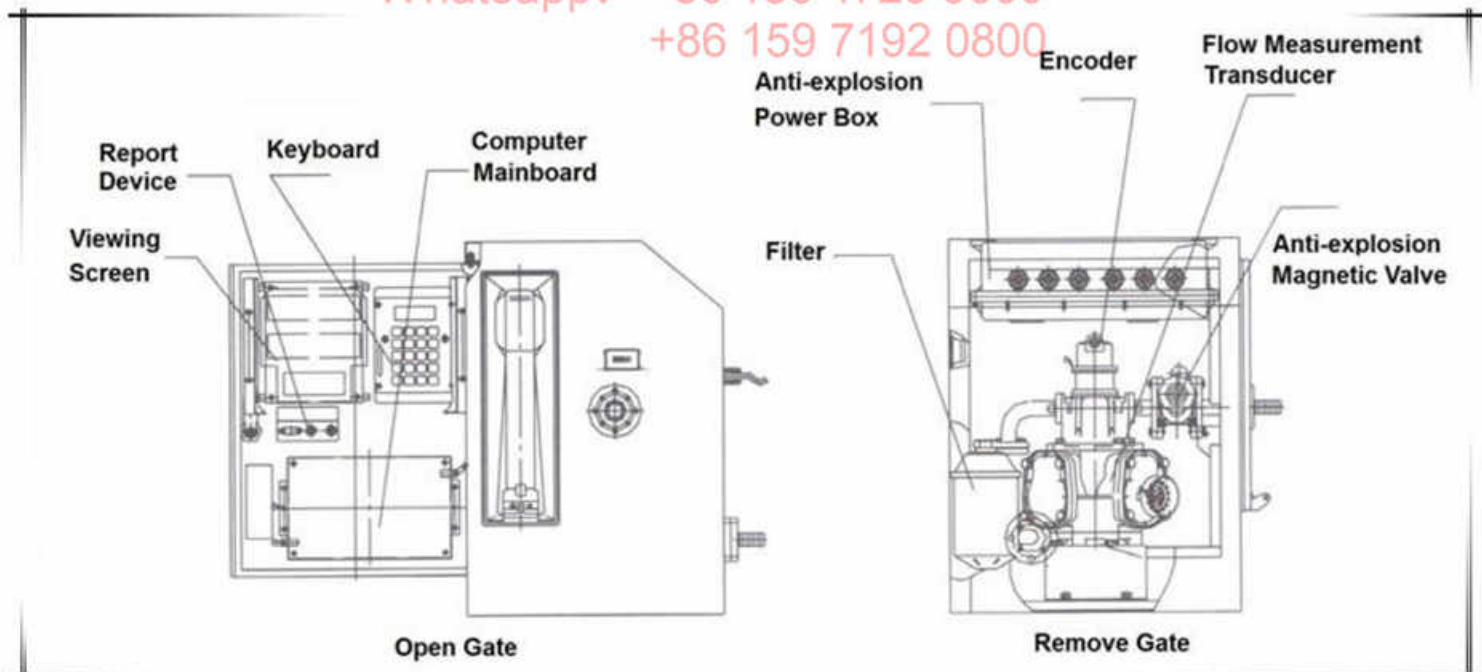
Brief introduction of SK20QF111A Fuel Dispenser:

SANKI Fuel Dispenser can be installed on fuel tanker truck and mainly used for refueling all kinds of trucks. This ISUZU tanker truck equipped SK20QF111A model fuel dispenser, with detailed specification showing on chapter 2. Also the refueling machine complies with national standards GB/T9081-2008. Advanced features for the pump showing as below: Simple Structure, Smooth Operation, High Efficiency and Reliable Operation.

Below is overview for SK20QF111A model fuel dispenser:



Whatsapp: +86 136 4729 9000
+86 159 7192 0800



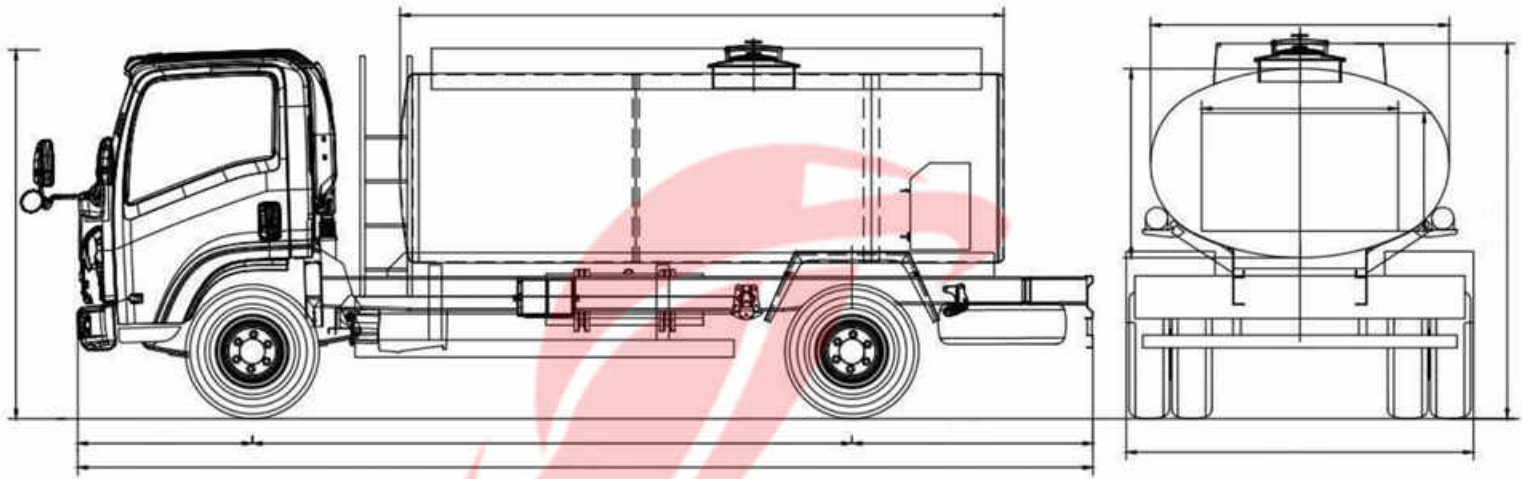
How to Maintenance SK20QF111A fuel dispenser:

Items	Notification	
Regular inspection & Maintenance	A Week	<p>Leakage: Inspection of pipeline, Joint, Inlet & Outlet valve Lead Sealing: Inspection of the lead sealing Filters: Inspection and see whether need to clean or change</p>
	As Required	<p>Refueling Machine Clean: Cut off power and open the gate to clean. No gasoline and diesel is allowed to wash the appearance Flow Measurement Transducer: Inspection of the accuracy Door Lock: Inspection and replace</p>
	Half Year	<p>Refueling Gun: Inspection of flexibility, add lubricant oil if not Pump: Inspection of flow rate, maintenance if necessary Filters: Inspection of dexterity</p>
FAQ	No normally Power On	<ol style="list-style-type: none"> Carefully inspecting the power connection The machine has delay Power On function, which means the shutdown time between power on and off should more than 3 second.
	Leakage on sealing or O-ring	<ol style="list-style-type: none"> The Sealing or O-ring inflate or damaged, need to smears grease or replace Bolt loose, tightening the bolt
	Non-working of LCK	<p>Normally the Hole of LCK pointing to Red light, then input parameter and turn right to have the Hole of LCK pointing to Green light, finally turn left to replacement. If not following the above operation step, the LCO will not work.</p>
	Flow rate is instability	<ol style="list-style-type: none"> The fuel level is too low and too much air inhaled, solution is make level higher The Oil pipeline is blocked. Refueling gun and filter are not opened thoroughly. Please cleaning or replace them.
	Measurement is not accurate	<ol style="list-style-type: none"> Carefully check the leakage of fuel pump, pipeline and all joints Some impurity in the oil, which damages the Flow Measurement Transducer, please repair or replace. The O-ring is damaged, please replace it Distribution valve and bottom sealing plate is dirty, please cleaning all of them

Chapter 5, Fuel Tanker Truck Structure Components

i ,Fuel Tanker Structure Components

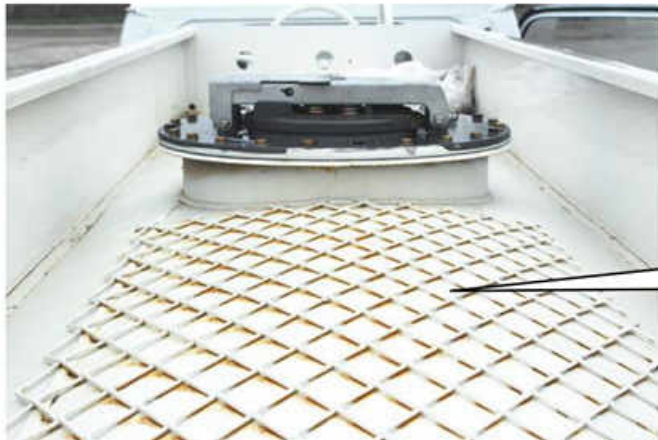
Overview for ISUZU fuel tanker truck technical drawing:



Above drawing show that there are safety-guards at two sides & rear; at rear of tank installed the SANKI Fuel Dispenser; on top of tank equipped one Euro standard Manhole, also aisle and handrail on two sides; in front of the tank equipped climbing ladder. The whole fuel tank is **oval shape**:

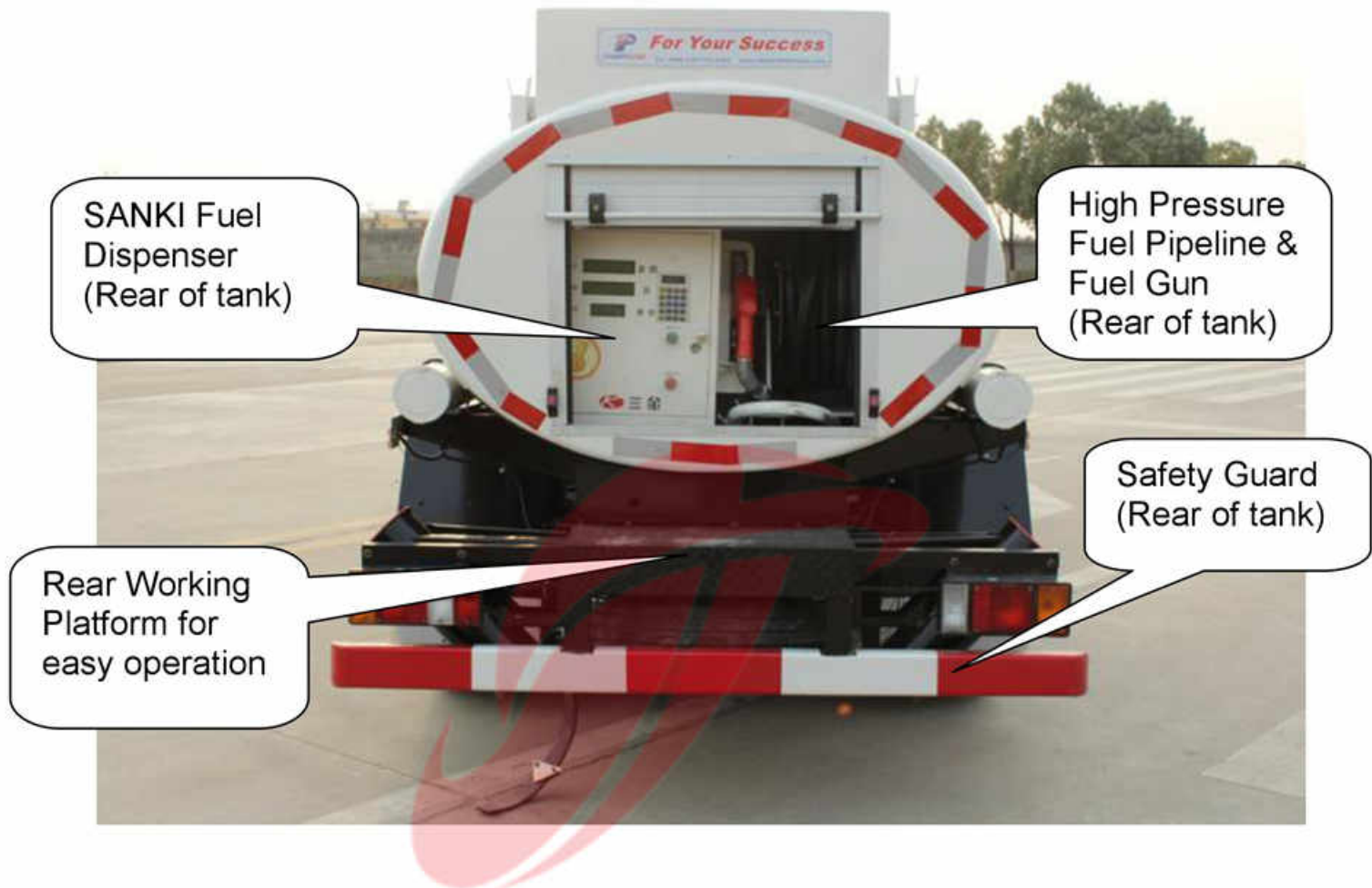
Top of the Tank: safety fence, manhole and Euro standard manhole cover

Euro standard
manhole covers with
Key (Top of tank)



Antiskid Plate for
safety (Top of tank)

Rear of the Tank: Working Platform, SANKI Fuel Dispenser & Pipeline Container



Side of the Tank: Climbing ladder with three level, Pipeline storage box & Fire-extinguisher storage box



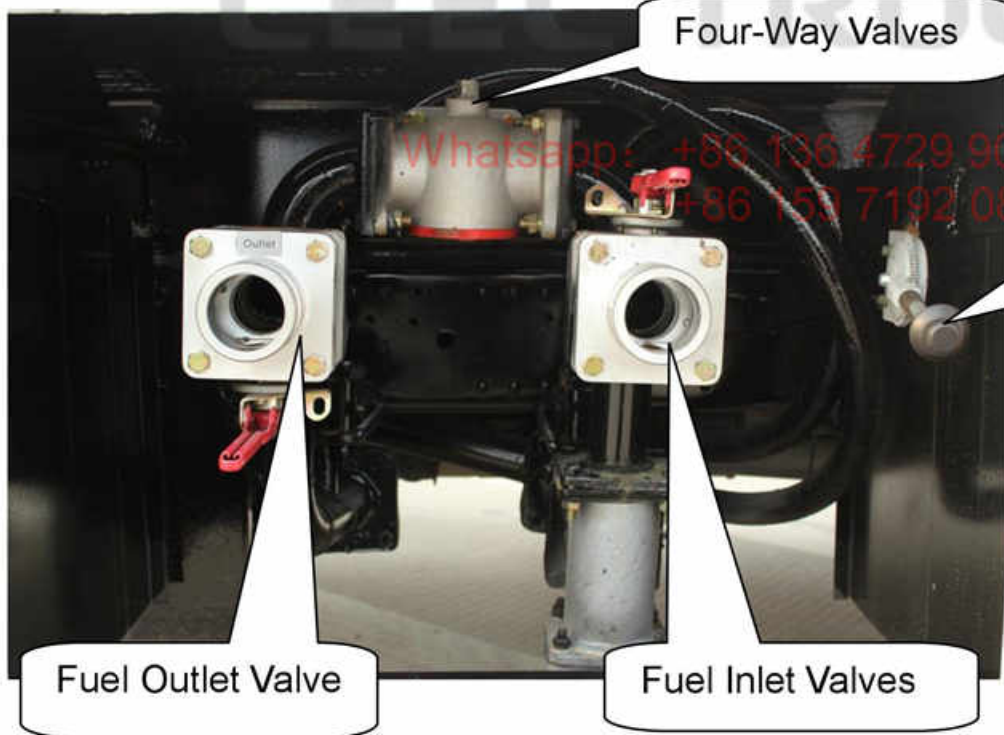
Fuel Pipeline (2 sets and approx. 3m long)



Fire-extinguisher storage box (Two sides) & 3kg powder fire-extinguisher (2 sets)



Driver's side of the Tank: Tool Box & Fuel Valves



Submarine Emergency Valve Controller (under tank) which connect tank and pump

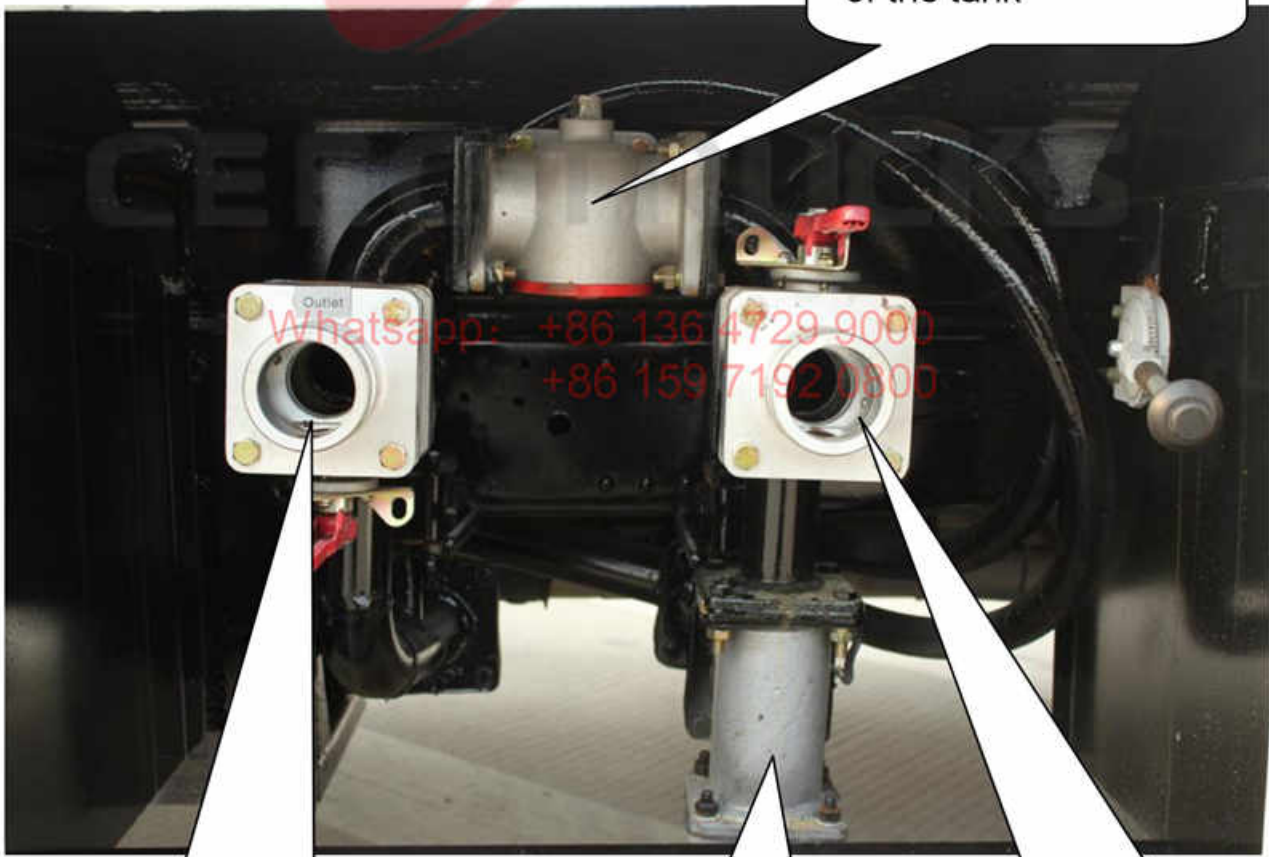
ii, Fuel Pipeline Structure Components

Pipeline is to fuel truck what blood vessel is to human body! The fuel tanker trucks pipeline system is simple but very practical. One main pipeline connect with fuel tank and fuel pump, which means there are two ways to collection water: firstly is pumping fuel directly through Fuel pump; secondly is collection fuel from top Manhole.

At side of the truck which installed Fuel pump, also Fuel inlet & outlet valves (Pipeline system as below):



80YHCB-60 Fuel pump



Three-Way Ball Valve Control fuel in & out of the tank

Fuel Outlet Valve (**Outlet**) Pumping fuel out of the tank

Three-way Filter Container

Fuel Inlet Valve (**Inlet**) Pumping fuel into the tank

Whatsapp: +86 136 4729 9000
+86 159 7192 0800

Chapter 6, Fuel Tanker Truck Working Principles

The operator should fully understand Whole Structure and Working Principle for ISUZU Fuel Tanker Truck before any operation. Only trained person can operate this vehicle properly and to prevent unnecessary accidents and equipment damage.

i ,How are the fuel trucks working?

The ISUZU Fuel Tanker Truck makes use of the special power take off (PTO) to get power from the engine, and then transfer the power to the Fuel Pump via drive axle so to rotate the pump. The fuel pump, pipelines, valves and joints consist of the pipeline system. Turn on / off valves through the regulated program, the pump can absorb fuel into the tank, also can pumping-out the fuel. As for the SANKI fuel dispenser, this can be used refueling all trucks through the special gun. And then come to all function.

ii ,What is the main component for truck?

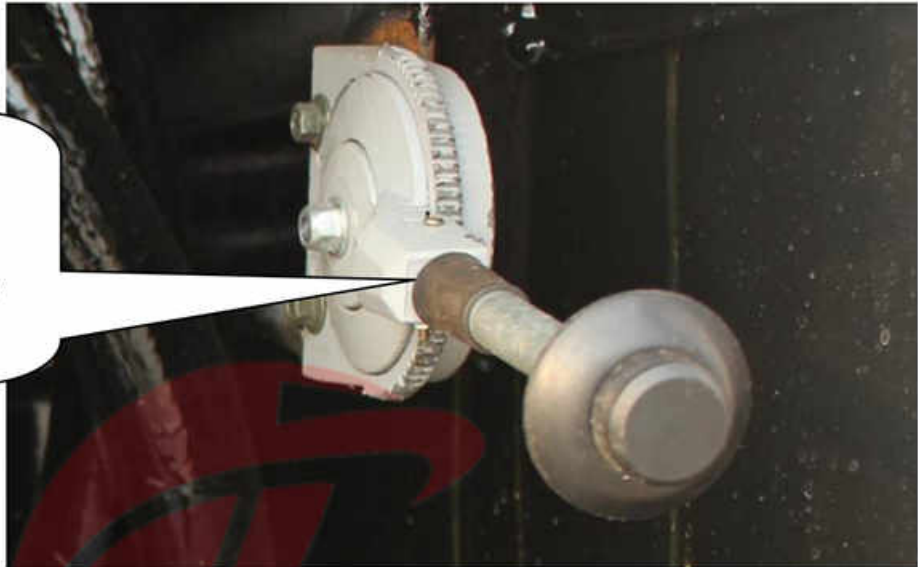
The fuel tanker truck is refitted based on the ISUZU 4x2 LHD chassis. The refit part includes fuel carrying assembly, actuator device, pipeline system, operation system and refueling machine.

- *Fuel carrying assembly: A carbon steel container shaped ellipse, with anti-rust painting, which is used to store and transport oil.*
- *Actuator device: includes power take off, drive line, etc., which can pass the power from the chassis to the pump.*
- *Pipeline system helps come to all special functions.*
- *Operation system: helps come to all special functions' convert.*
- *Refueling machine: helps to refuel all kinds of trucks*

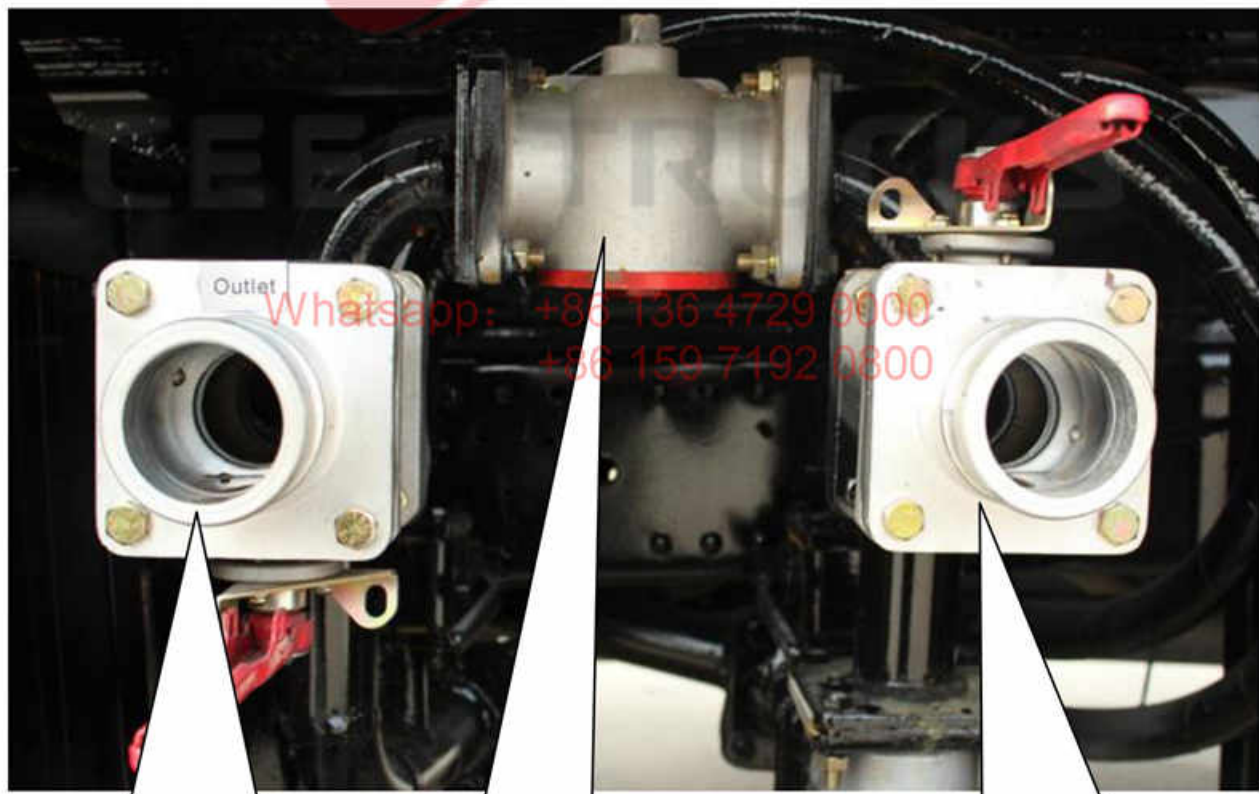
iii, How to operate fuel tanker trucks? **(Very Important)**

1. Refer to Chapter 5 and get more information about valves structure component.

Submarine Emergency valve Controller
The Controller must be **opened** both Pumping-In & Pumping -Out working



**Please Note: When wrench is PARALLEL with pipeline, the pipe flow;
When wrench is VERTICAL with pipeline, the pipe closed.**



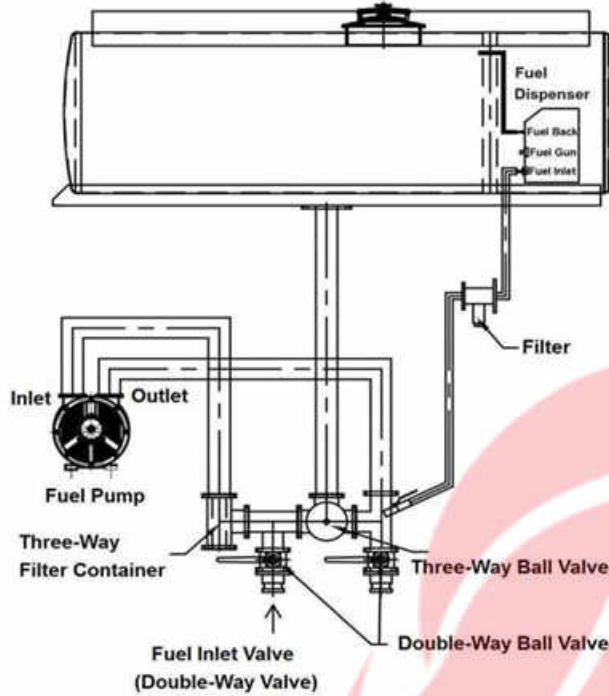
Fuel Outlet Valve (**Outlet**)
Pumping fuel out of the tank

Three-Way Ball Valve
Control fuel in & out of the tank

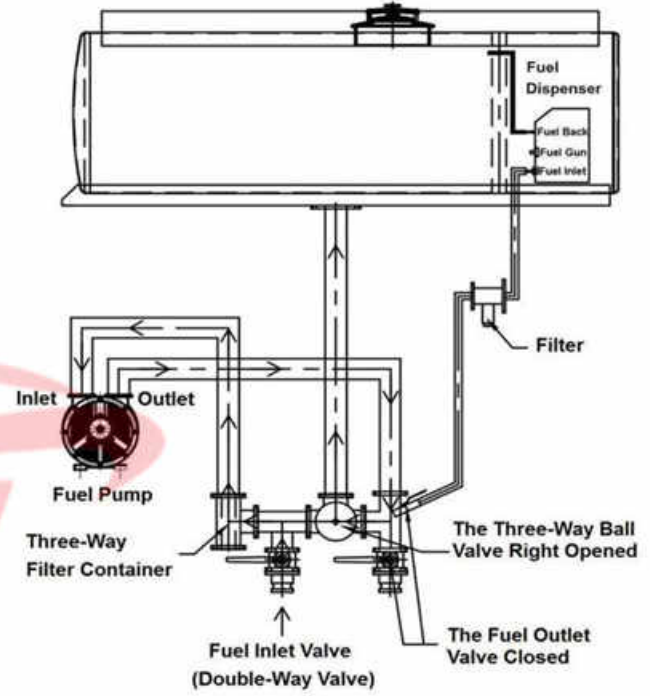
Fuel Inlet Valve (**Inlet**)
Pumping fuel into the tank

2. Read the below Operation Chart carefully before any operation:

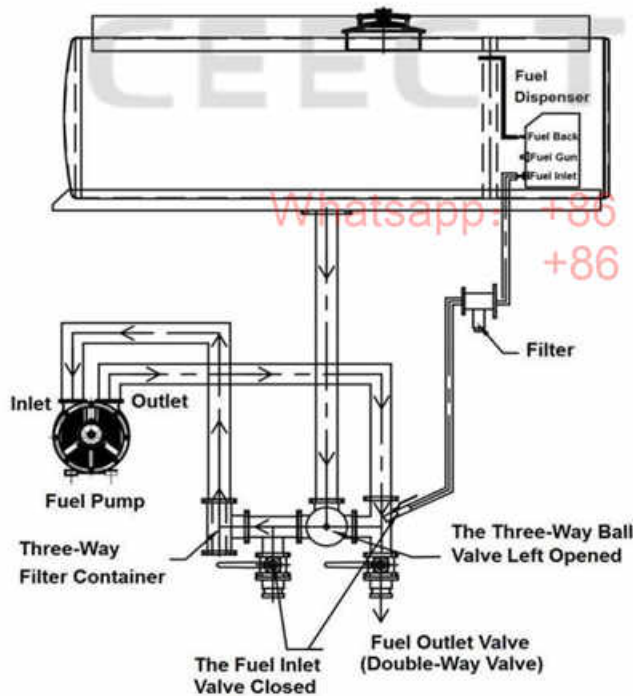
Fuel Truck Pipeline System



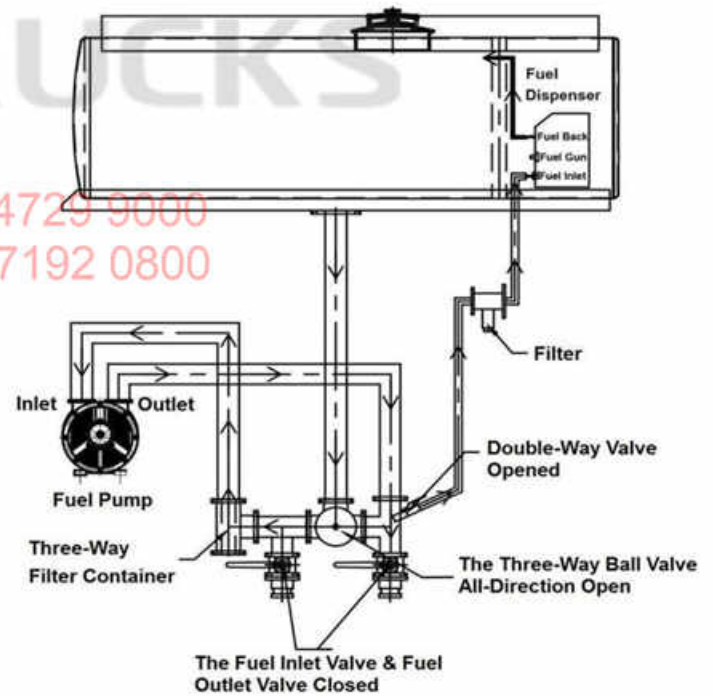
Schedule of Pumping-In Course



Schedule of Pumping-Out Course



Schedule of Refueling Course



Whatsapp: +86 136 4729 9000
+86 159 7192 0800

Note: When the Round Spot of Three-Way Ball Valve is pointing to one way, the way Blocked
When the Handle of Double-Way Ball Valve is VERTICAL with pipeline, the fuel Blocked

- a) Before operating valves you should operating the power take off (PTO), the truck transmission gearbox should be in neutral, when the engine is idle, step on the clutch pedal and turn the PTO switch on, and then release the clutch pedal slowly. The fuel pump will start operating.
- b) Before any other operation, the most important thing is opening the **Submarine Emergency Valve** controller, then the pump pipeline and the fuel tank is unblocked, and the oil can be pimping-in & pumping-out of tank.
- c) Special function operation showing as below, which mainly has following four functions:

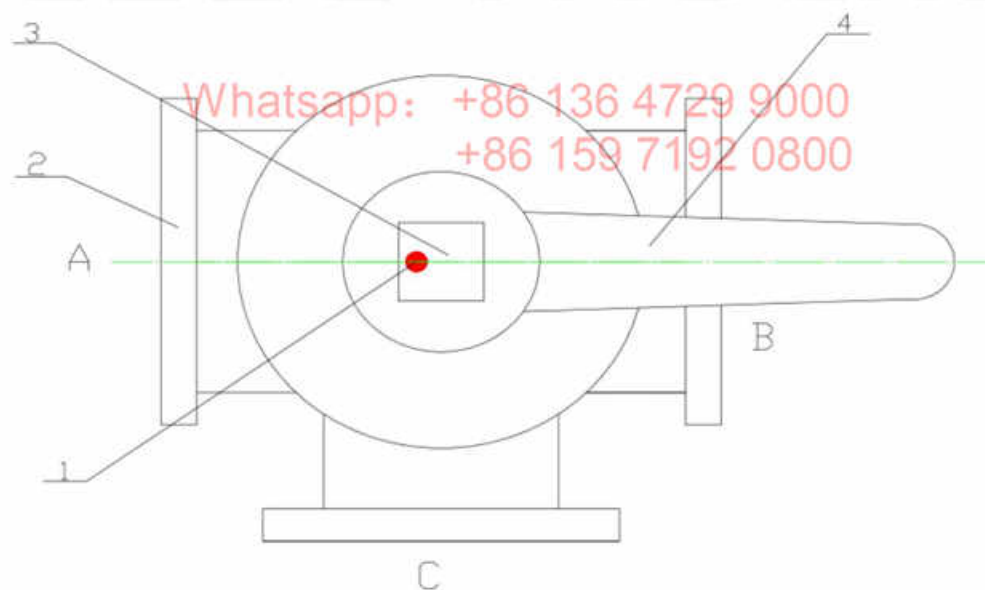
➤ **Fuel Truck Pipeline System:** There are mainly below 4 parts for fuel truck pipeline system. (Rear system based on truck component)

SANKI Fuel Dispenser: Consists of Fuel inlet & out valve, Fuel gun and electric system

Fuel Pump: 60YHCB-30 fuel pump, provide power for fuel inlet & outlet of tank

Multi-Function Valves: Fuel Inlet Valve, Fuel Outlet Valve & Three-Way Ball Valve

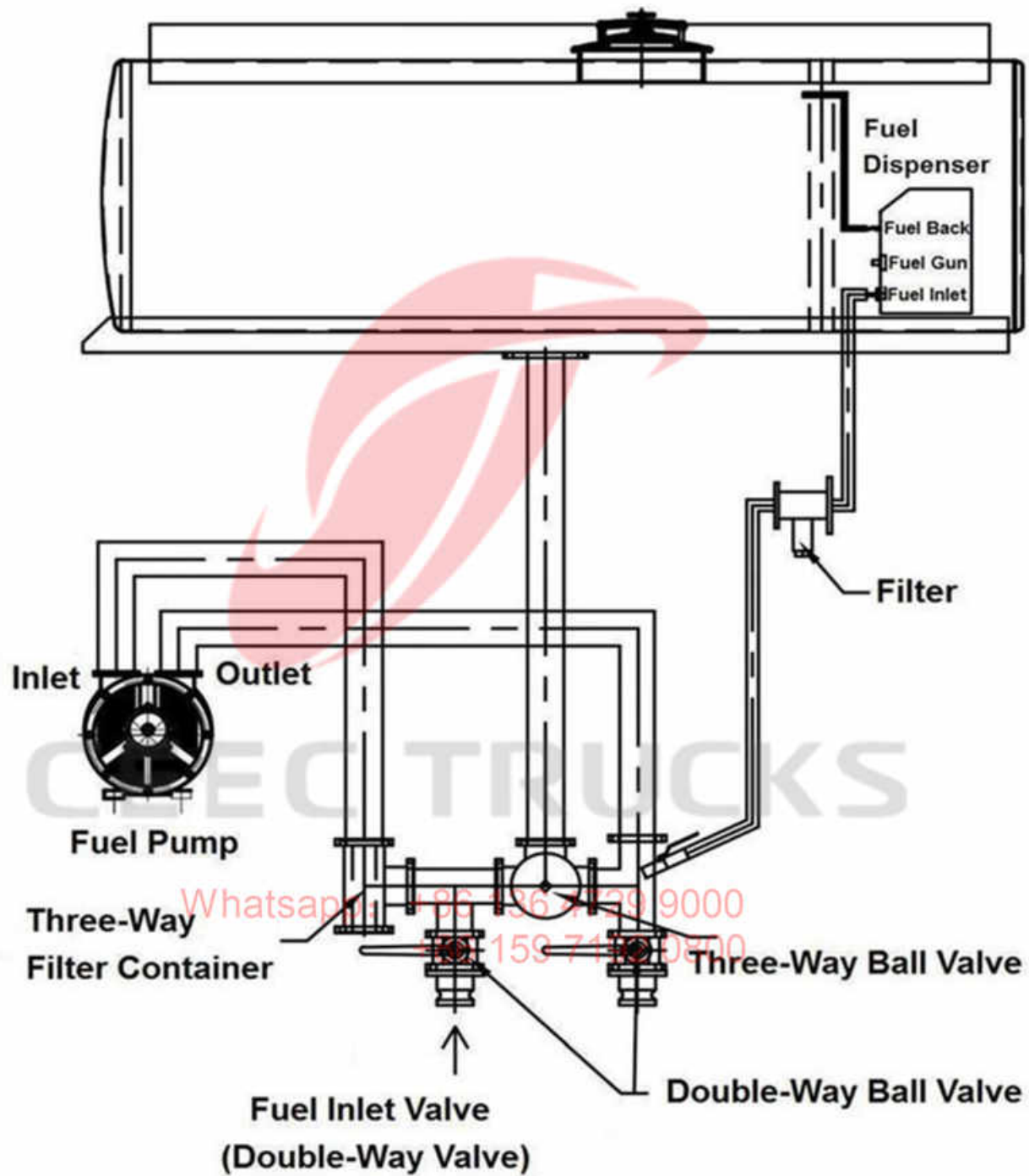
Fuel Pipeline: Multiply fuel pipeline service for fuel transportation



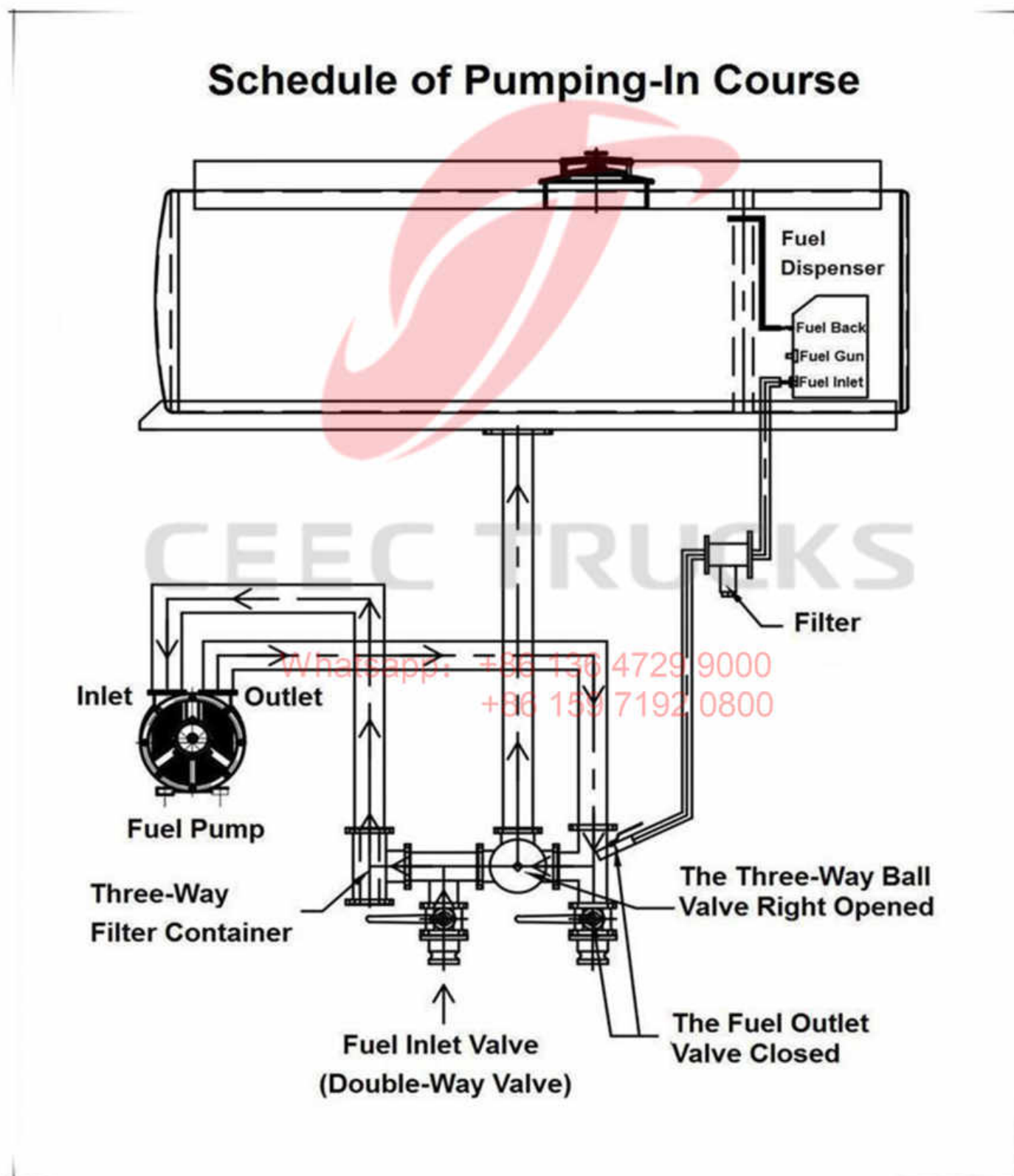
(1-Red Point 2-Valve 3-Valve Rod 4-Joystick)

Red Point: Means this way closed (Picture showing is A-way closed, B & C way open)

Fuel Truck Pipeline System

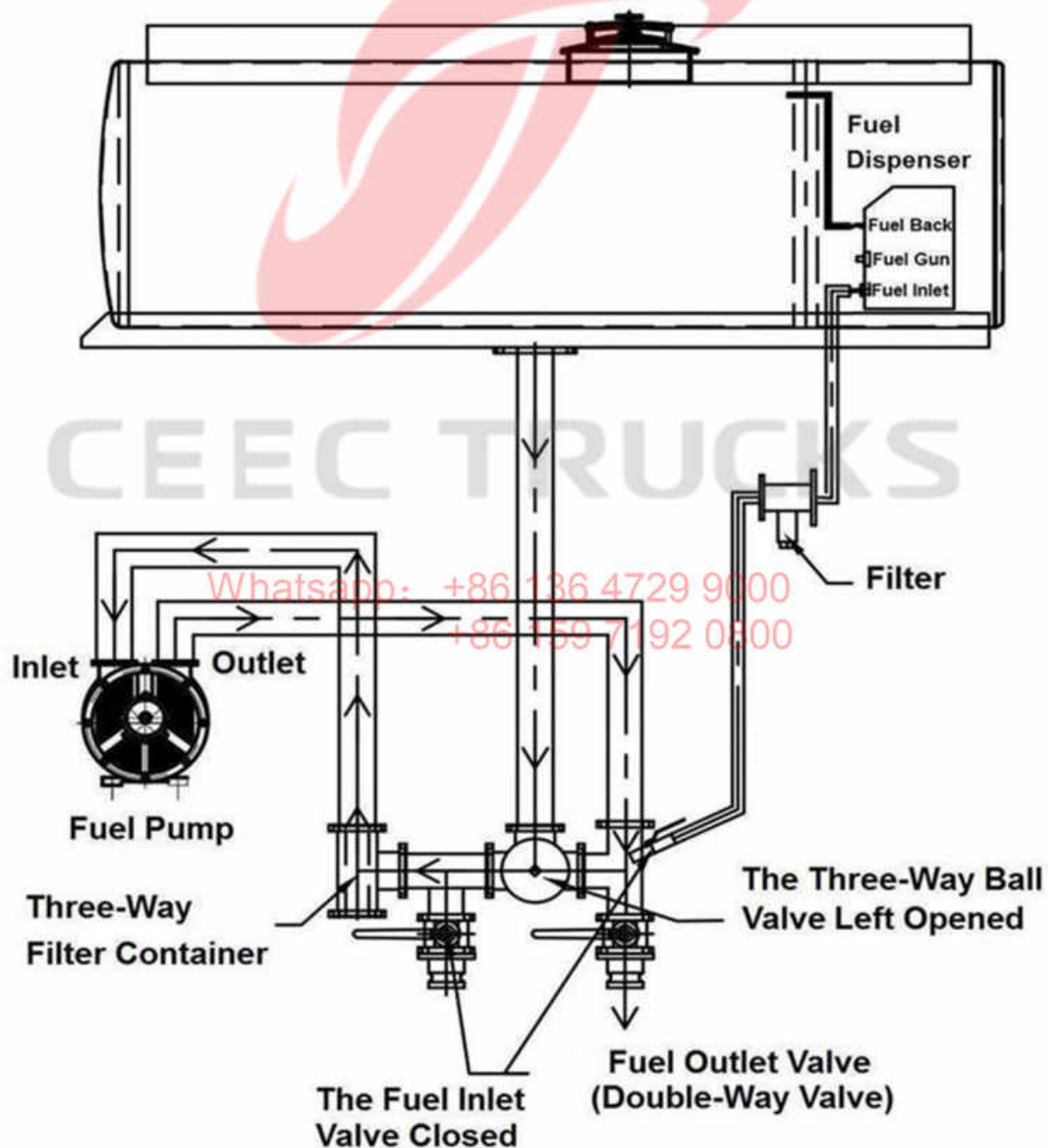


- **The Schedule of Pumping-In Course:** open **Fuel Inlet Valve**, close **Fuel Outlet Valve**, and the spot of **Three-Way Ball Valve** pointing to **LEFT** (Means the **Three-Way Ball Valve Right Opened**), close the **Double-Way Valve** (which connect the **Fuel Dispenser**), open the **Submarine Emergency Valve**. Then oil sucked into the pump through **Fuel Inlet Valve** under negative pressure of fuel pump, then into the fuel tank. Details showing as below chart.



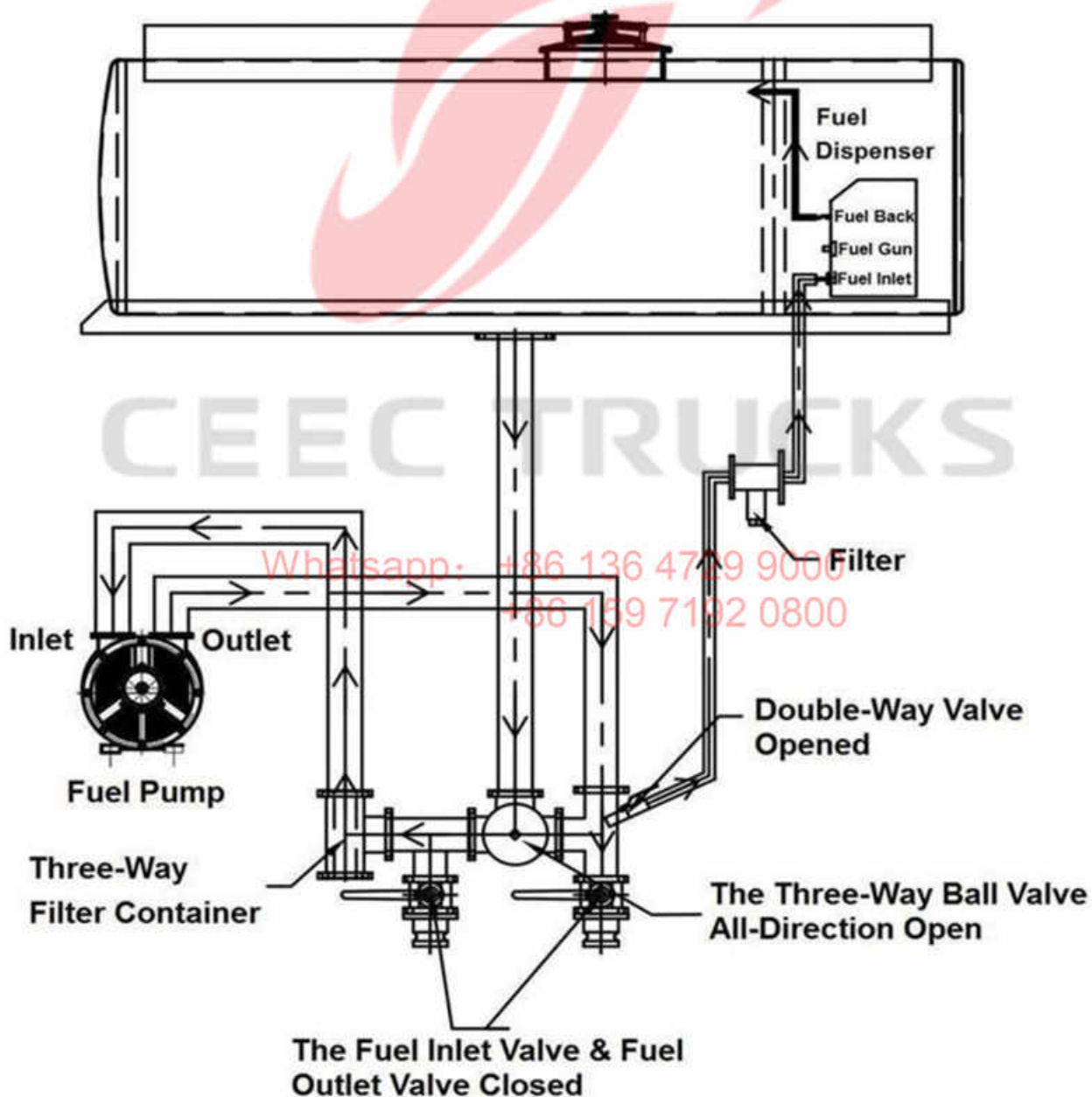
- **The Schedule of Pumping-Out Course:** open **Fuel Outlet Valve**, close **Fuel Inlet Valve**, and the spot of **Three-Way Ball Valve** pointing to **RIGHT** (Means the **Three-Way Ball Valve Left Opened**), close the **Double-Way Valve** (which connect the **Fuel Dispenser**), open the **Submarine Emergency Valve**. Then oil pumping-out the fuel pump through **Submarine Emergency Valve** under negative pressure of fuel pump, then out of the fuel tank through **Fuel Outlet Valve**. Details showing as below chart.

Schedule of Pumping-Out Course



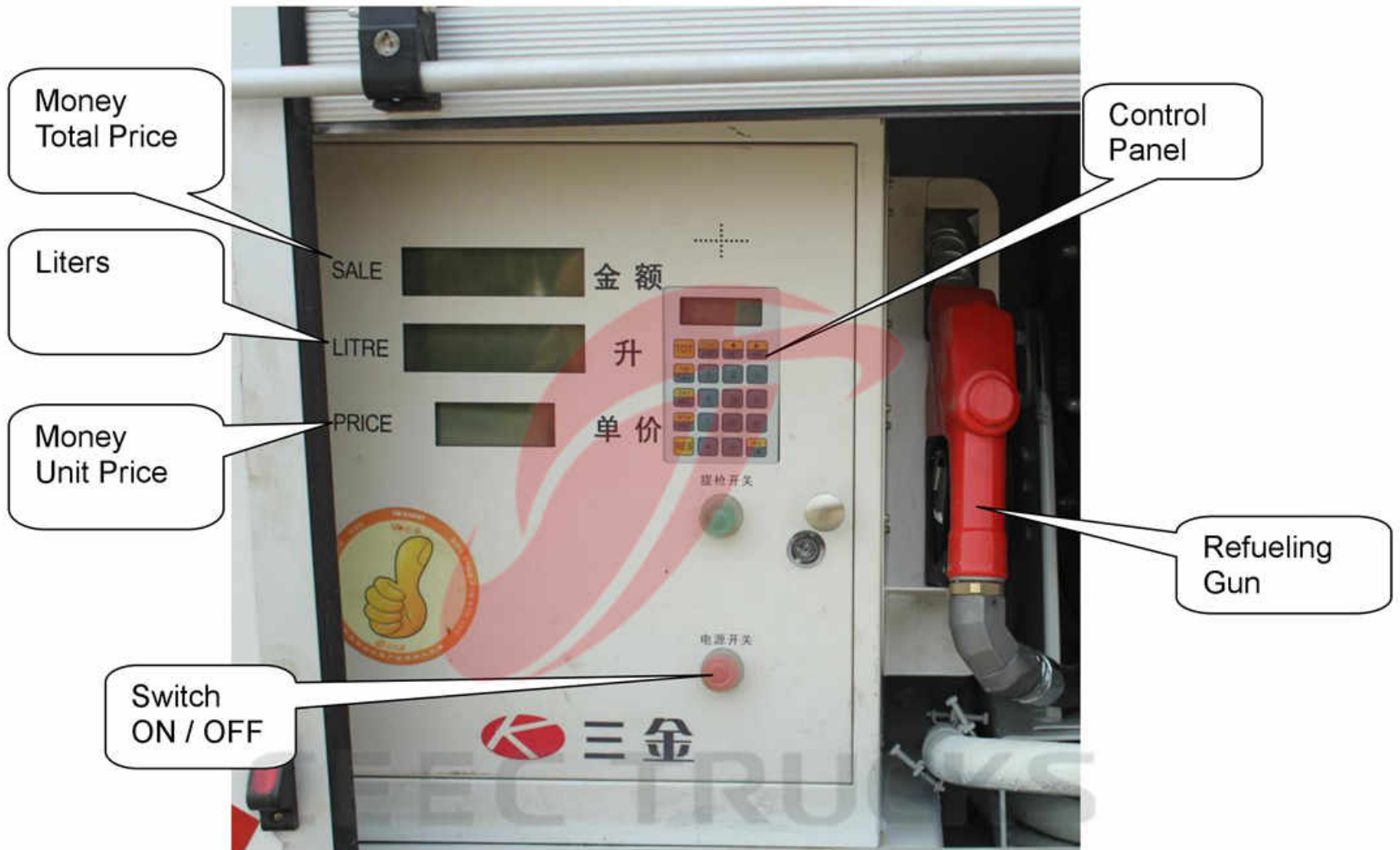
- **The Schedule of Refueling Course:** close **Fuel Inlet Valve** and **Fuel Outlet Valve**, and the spot of **Three-Way Ball Valve** pointing to outside (Means left & right side is open), open the **Double-Way Valve** (which connect the Fuel Dispenser), open the **Submarine Emergency Valve**. Then oil can be pumping-into the **CENSTAR Fuel Dispenser** through **Double-Way Valve** under pressure of fuel pump. Then you can operate the Fuel Dispenser to refuel all trucks. Details showing as below chart.

Schedule of Refueling Course

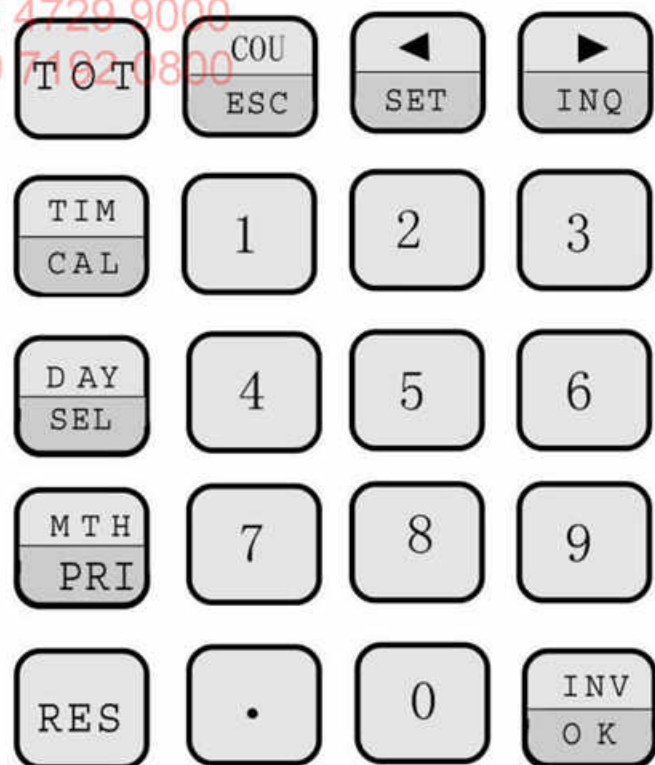


IV, How to operate SANKI Fuel Dispenser?

Firstly, you should better know the main parts of fuel dispenser.



Whatsapp: +86 136 4729 9000
+86 159 7102 0800



English version Control Panel for reference:

Secondly, carefully operate the fuel dispenser as following directions.

1.1 Non quantitative refueling

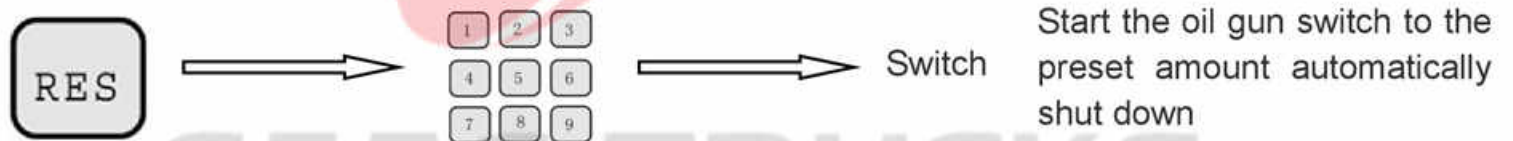
Start the oil gun switch and refueling directly

1.2 Quantitative refueling

Preset Operation in Liter



Preset Operation in Money



Whatsapp: +86 136 4729 9000
+86 159 7192 0800

Chapter 7, Others for Attention

After carefully reading the above information, you must be well known how to use the ISUZU Fuel Tanker Truck; below show some parts you need to pay attention while using the truck.

i ,Precautions for Use

- Please abide strictly by the following manual:
 1. **Fuel Tanker Truck Owner's Manual**
- Carefully examination the fuel truck:
 1. Examine all parts, especially steering device, braking device, Suspension, tires and other joints, etc.
 2. Examine Exhaust Braking System, maintenance if have any leakage.
 3. Examine the tire pressure.
 4. Examine all lights on the truck, including Head Light, Fog Light, Turning Light, Tail Light.
 5. Examine the rear Anti-Static tape, replace it if not tough the ground
- It is strictly forbidden to operate the Power Take Off (PTO) under the condition of the clutch not separation (Not step the clutch pedal). When release the clutch, you should slowly. The operation of the PTO must only on the condition of neutral for clutch.
- It is better not to do Half-Load transportation, especially for long-distance transport.
- When operating all the Valves, it is not good to overexert, for overexert will influence the valve ball's leakproofness. The open & close for Three-Way Valves should completely, and strictly forbidden working when valves not operated completely.

ii, Maintenance

- The maintenance of the chassis including clutch and transmission gearbox should be properly.
- The Maintenance of the SANKI dispenser and fuel pump refers to the "Fuel Tanker Truck Owner's Manual".
- It should be checked all coupling and lubrication at fixed period to exclude the tight parts, and make sure all parts in good lubrication condition.
- Both the Fuel Pump, PTO, Transmission Gearbox should be carefully washed, checked and maintenance every year.
- The strainer inside filter should be washed frequently. Exchange it if necessary.

iii, Spare Parts List

Item	Products Name	Quantity
1	4m long Fuel Pipeline	2 units
2	Standard Tools for chassis	1 set
3	Three-Way Valve Wrence	1 unit

Whatsapp: +86 136 4729 9000
+86 159 7192 0800